

1 2 3 4

A

A

B

B

C

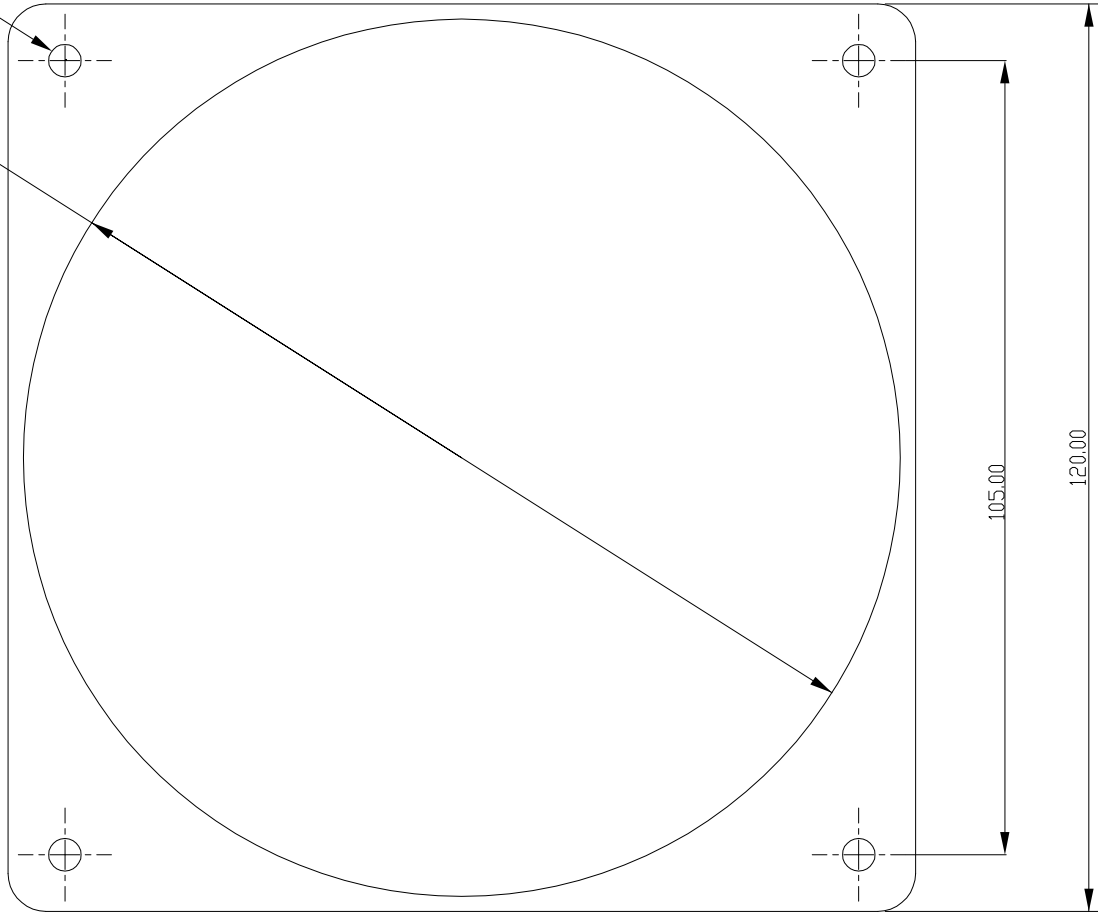
C

D

D

Ø4.30

Ø16.00



TOLERANCE UNLESS SPECIFIED DECIMAL: 50.1~200.0±0.3 15.1~50.0±0.2 1.0~15.0±0.1 ANGLE: ±1°				
	PRODUCT			
	ARCTIC 120MM FAN MOUNTING HOLE DRAWING		VOL:	SIZE: A4
			SCALE: 1:1	UNIT:mm
				

1 2 3 4