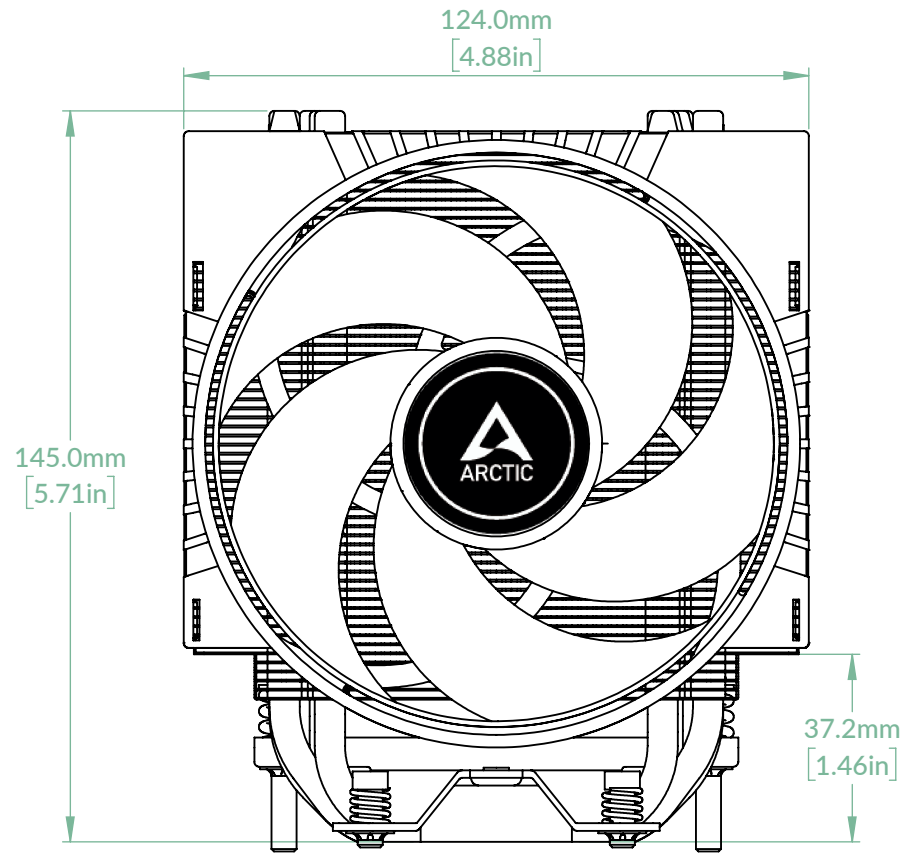
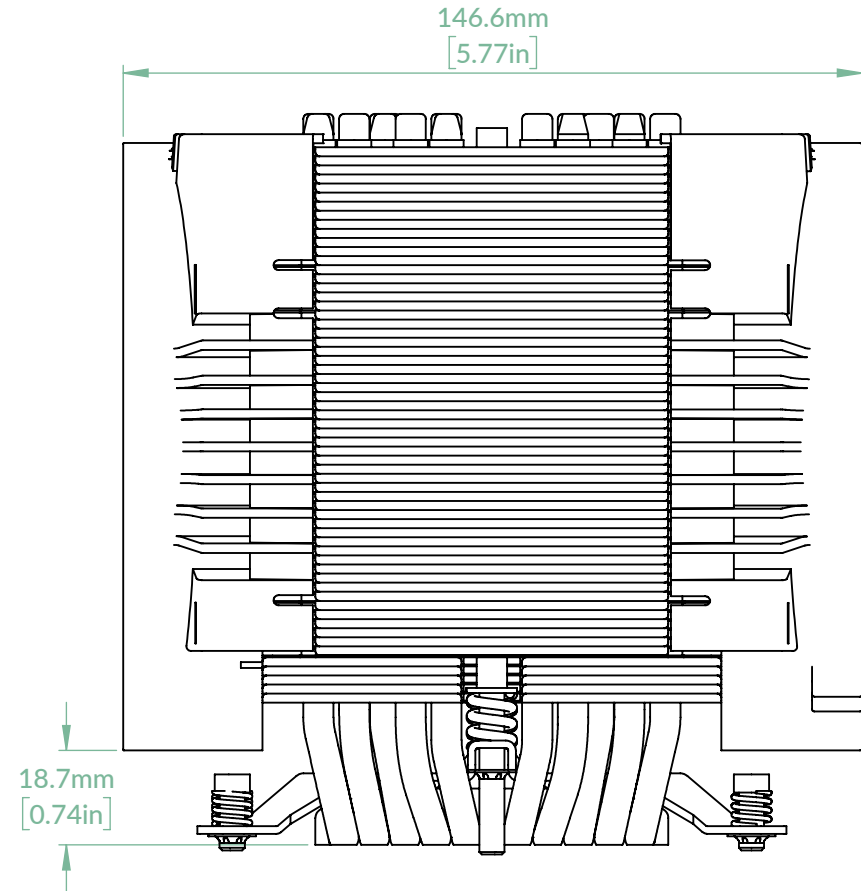


# Freezer 4U-SP5

P/N: ACFRE00158A  
Scale 2:3  
Rev. Date: 2024-11-20



Front View



Side View

RAM Clearance: 50mm