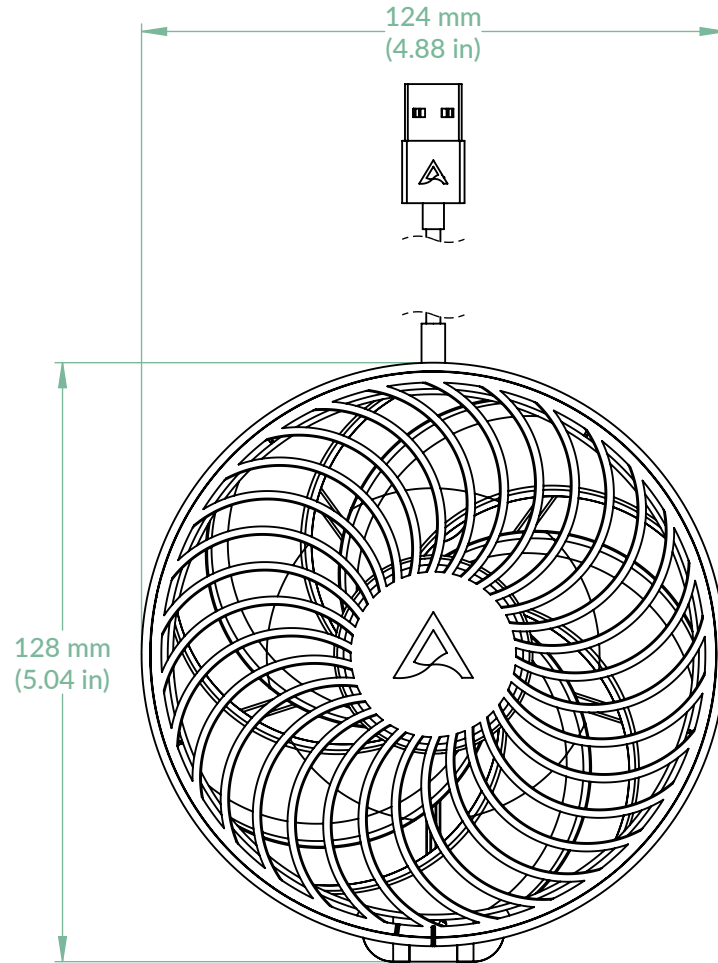


Summair

P/N: AEBRZ00023A (Black) , AEBRZ00025A (White)

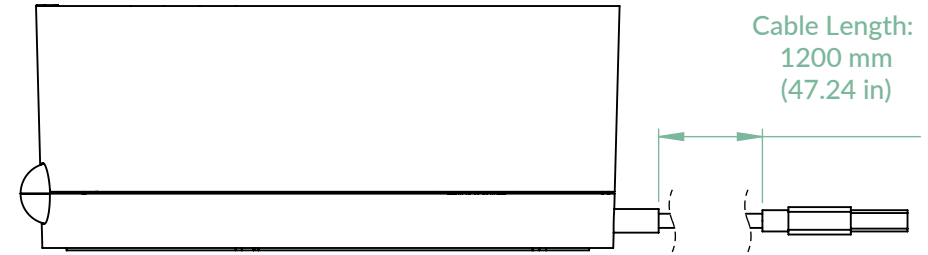
Scale 5:8

Rev. Date: 26/4/2023

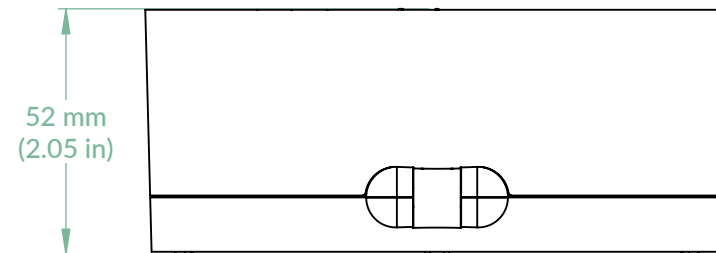


Top View
Scale 5:8

Closed



Side View
Scale 5:8



Front View
Scale 5:8

Summair

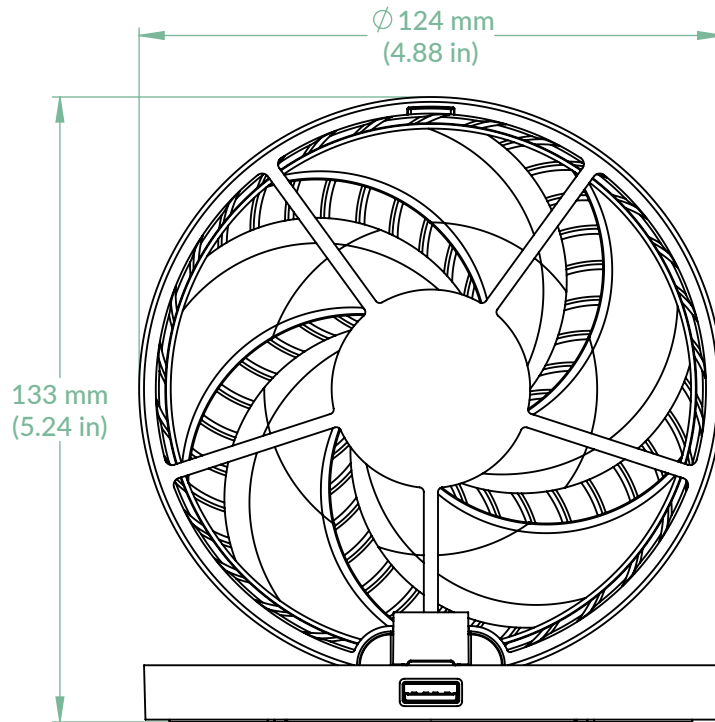
P/N: AEBRZ00023A (Black) , AEBRZ00025A (White)

Scale 5:8

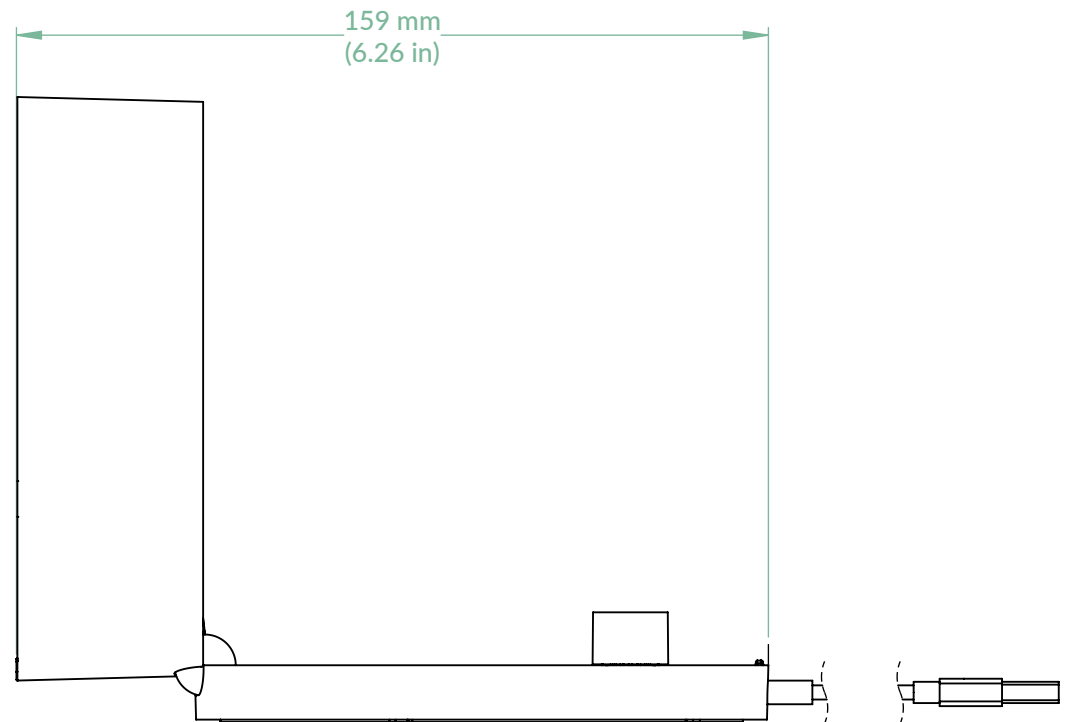
Rev. Date: 26/4/2023



Open



Back View
Scale 5:8



Side View
Scale 5:8