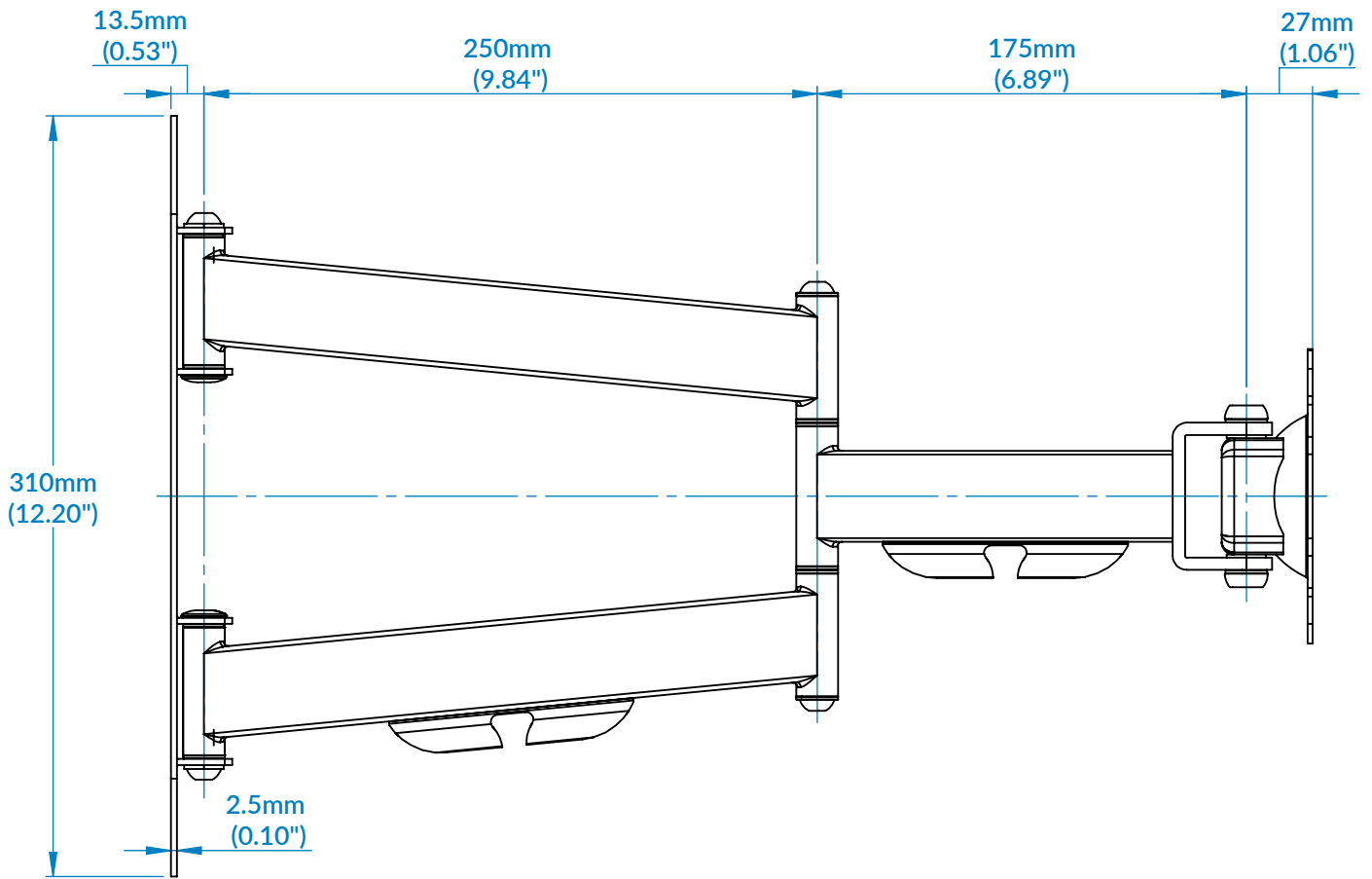
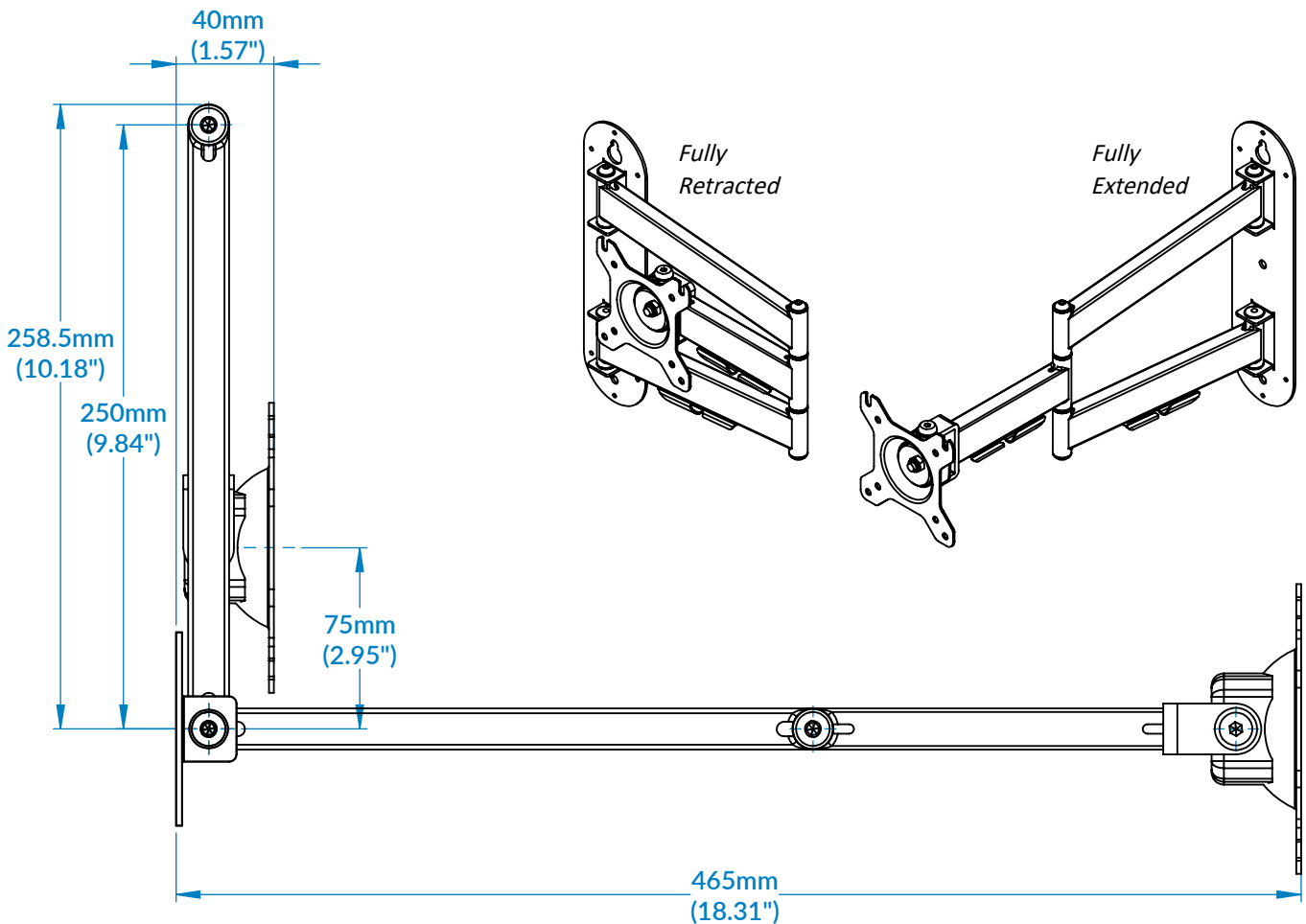


Dimensional Illustrations

Overall Dimensions



Reach



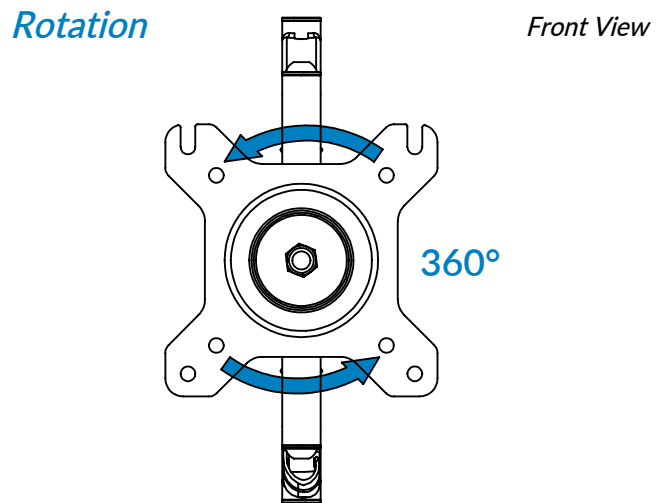
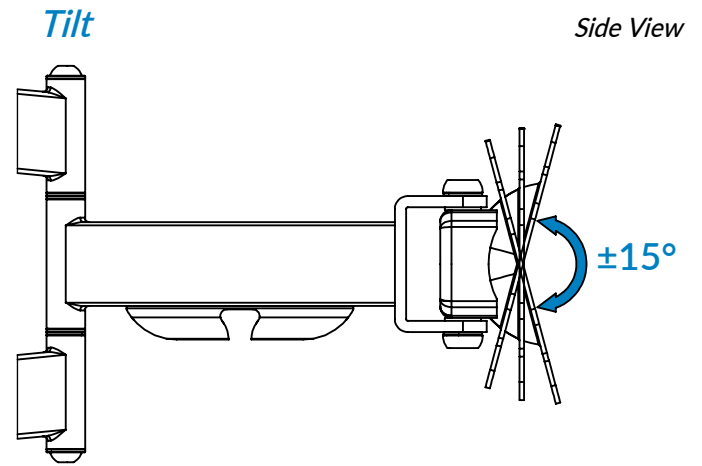
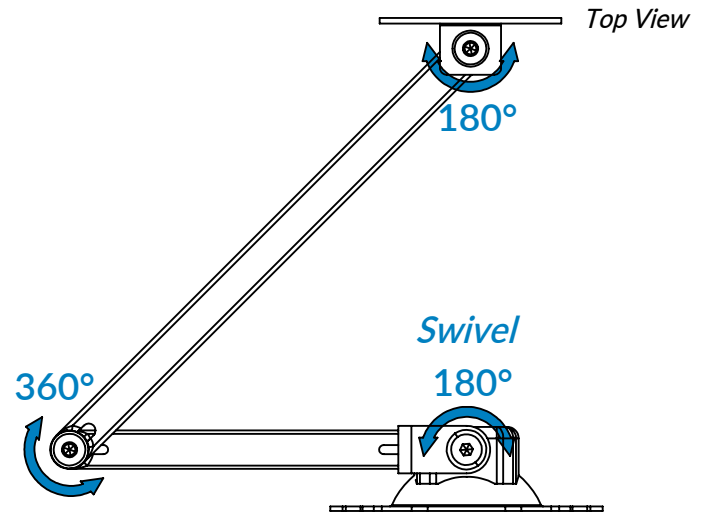
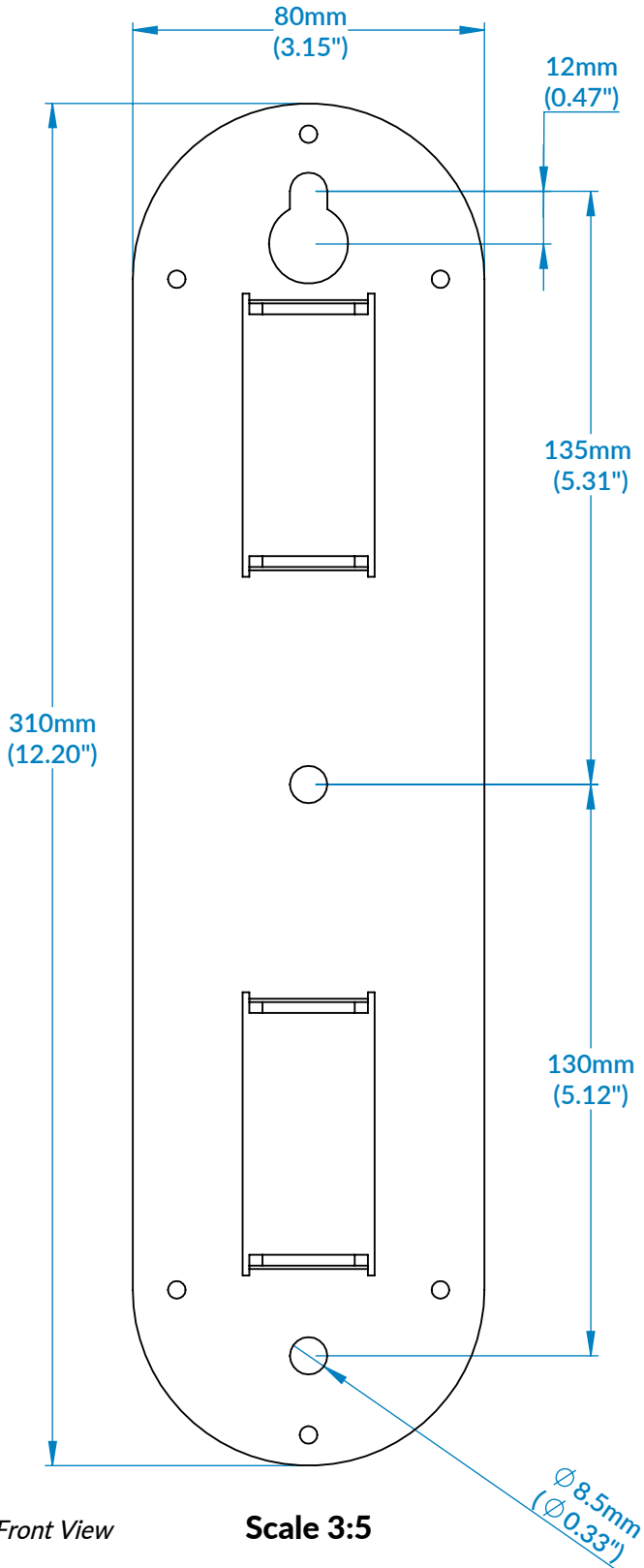
W1C

Dimensional Illustrations

Wall Mount Bracket



Adjustability



Designed by ARCTIC



P/N: AEMNT00058A

© ARCTIC (HK) Ltd. All rights reserved.

Rev. Date: 07-Jan-2022

Drawings shown in this document are not to scale.