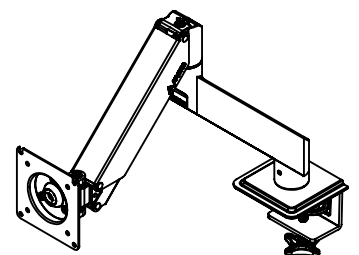
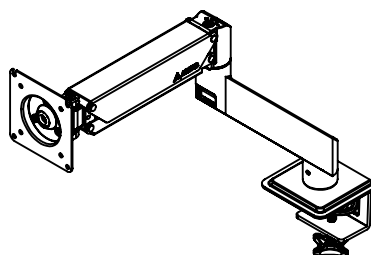
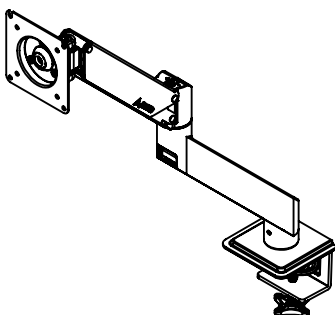
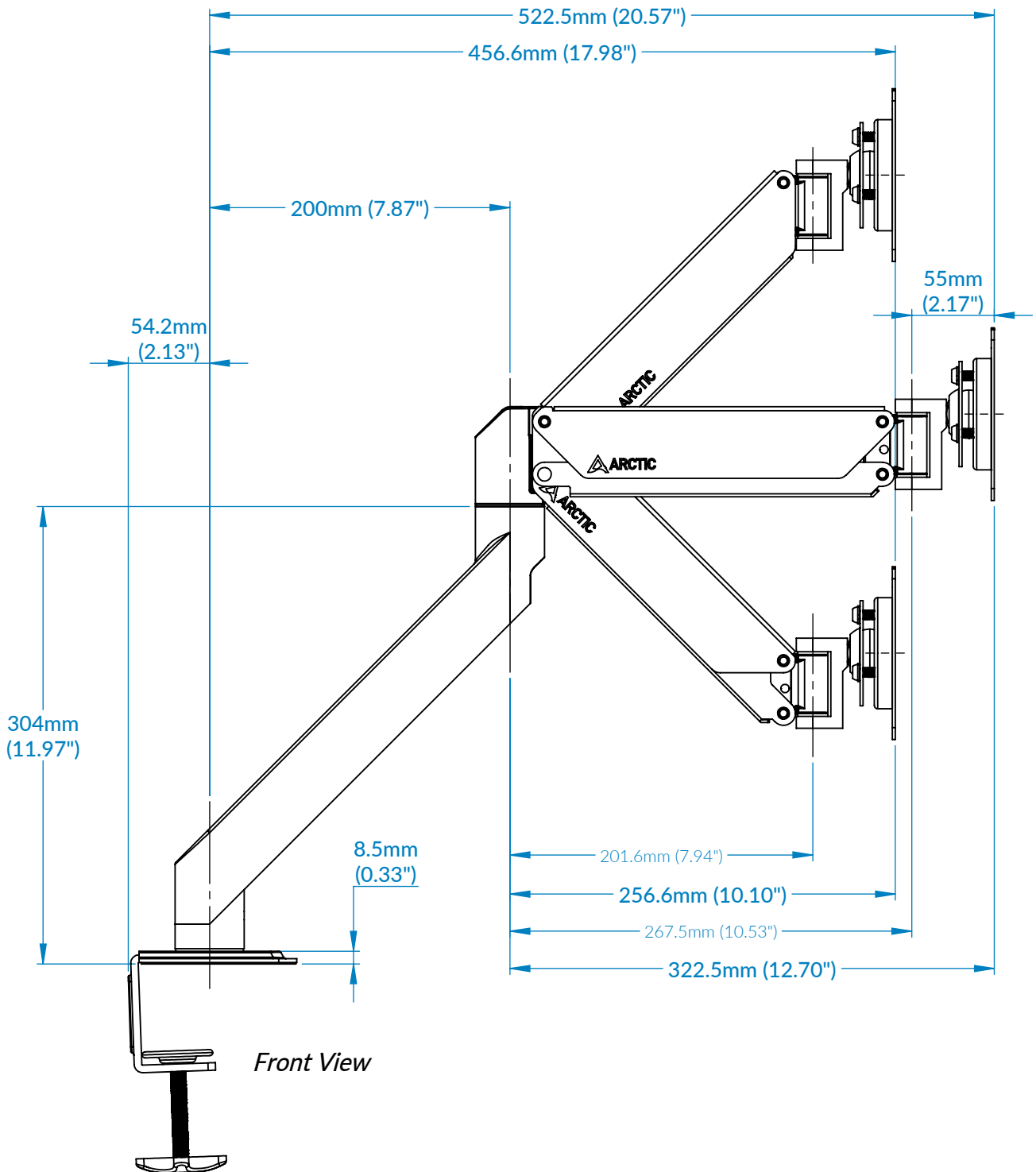


# X1-3D

## Dimensional Illustrations

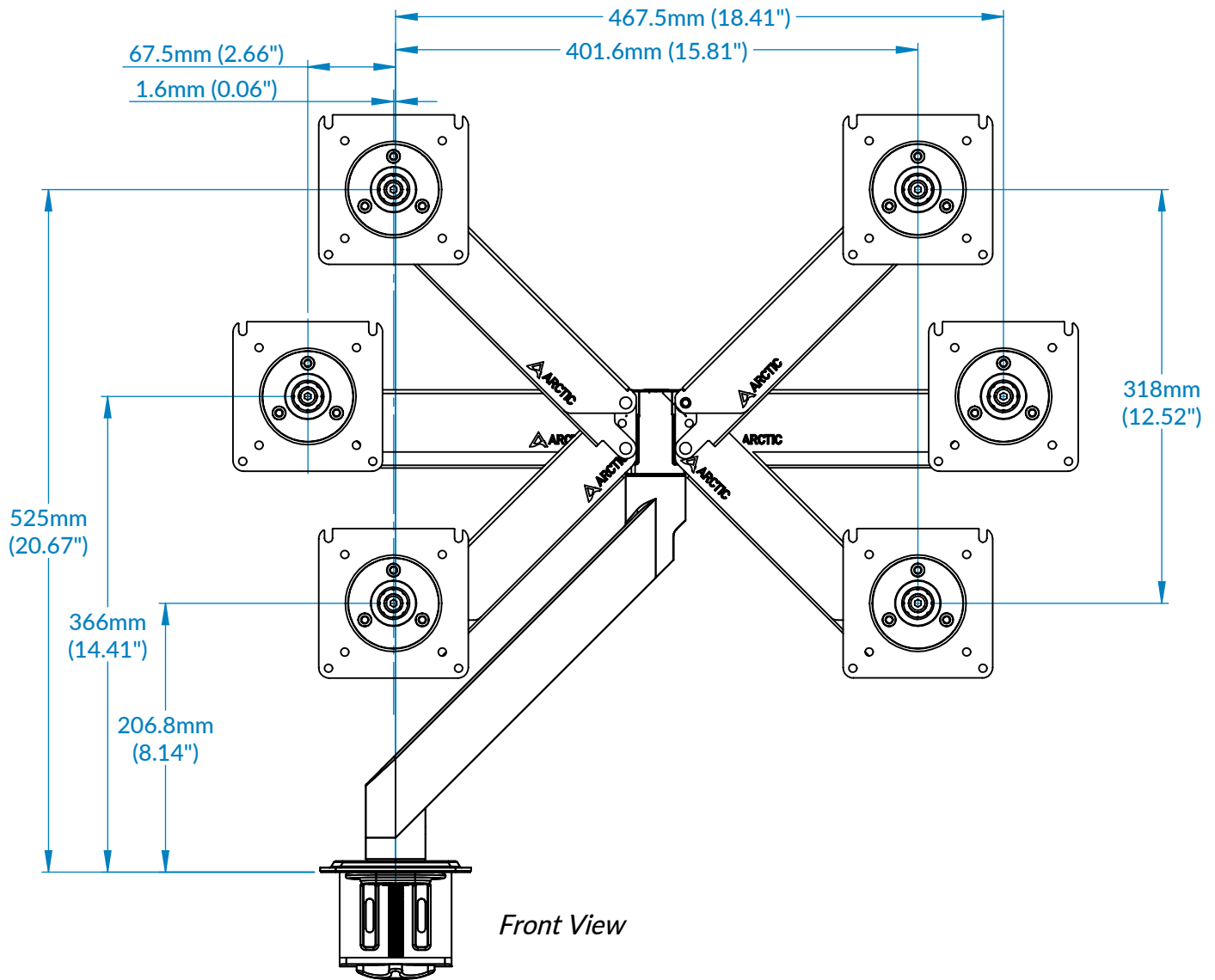
### Overall Dimensions



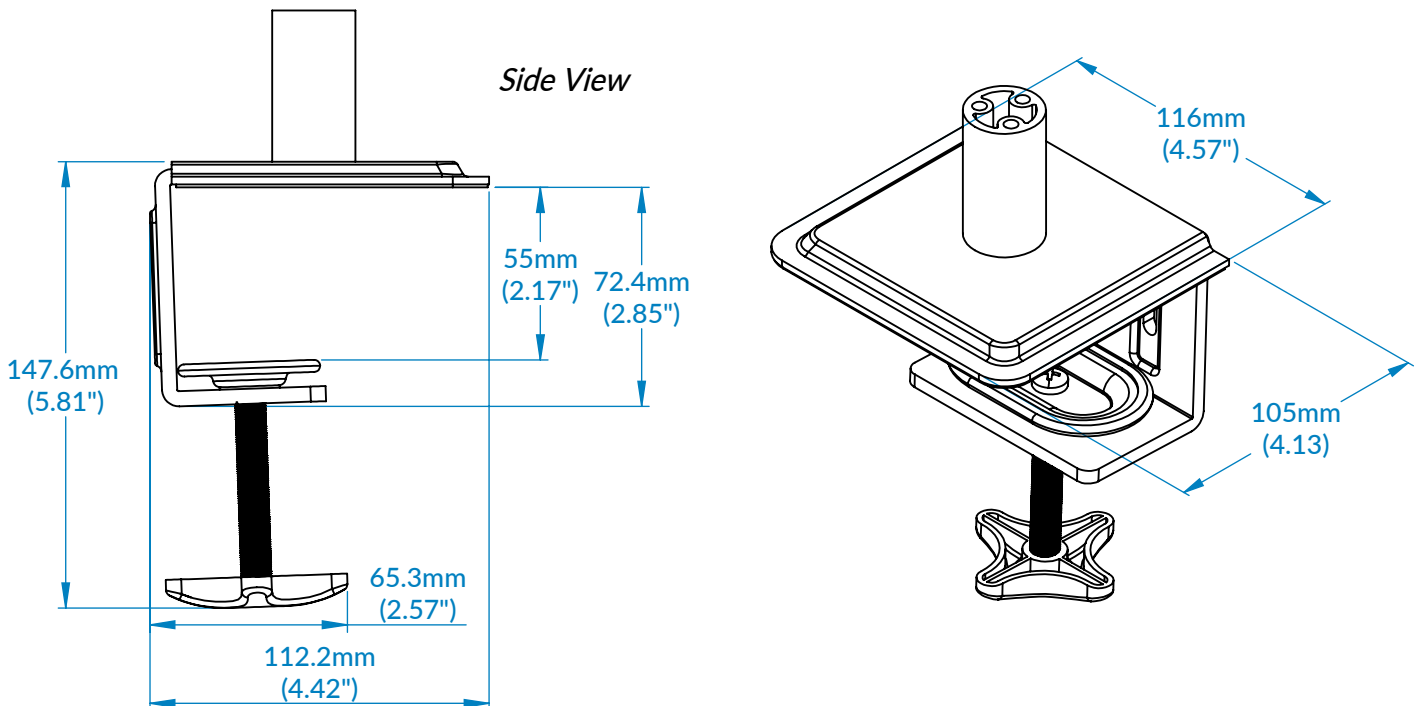
# X1-3D

## Dimensional Illustrations

### Overall Dimensions



### Clamp

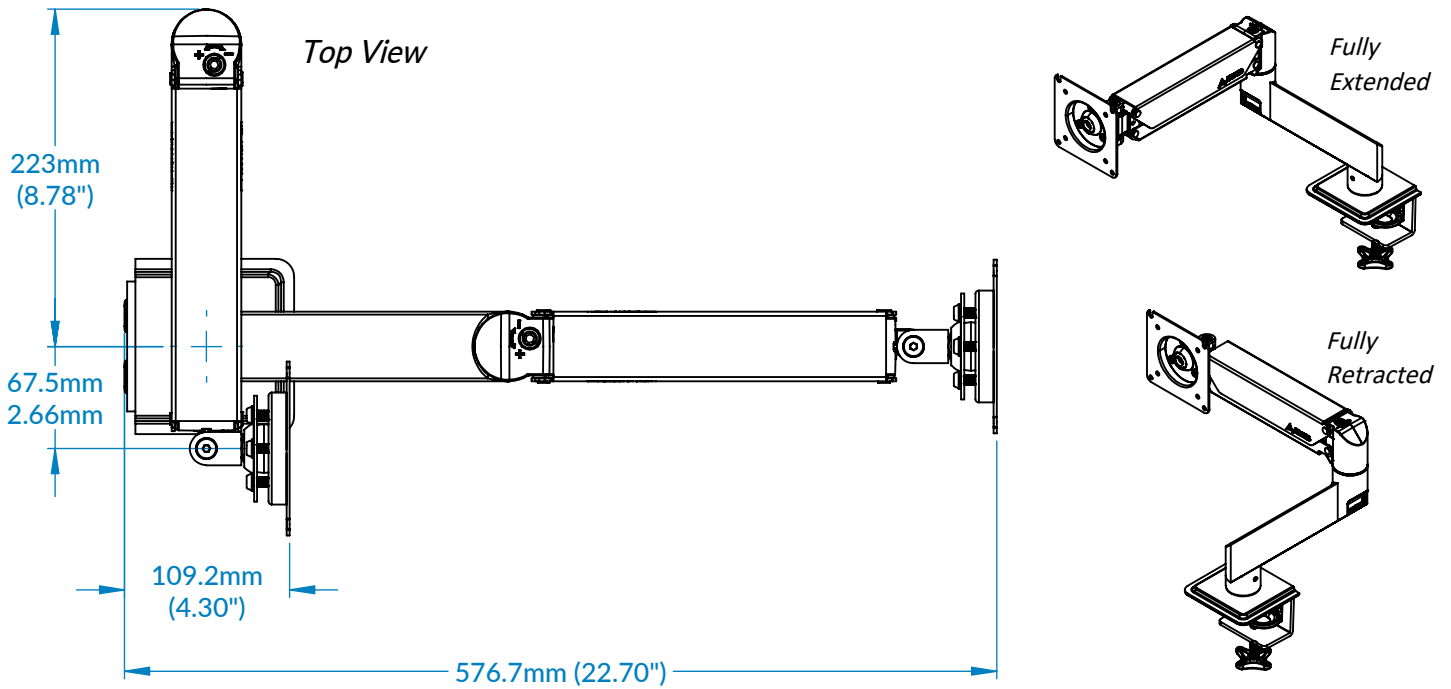


# X1-3D

## Dimensional Illustrations

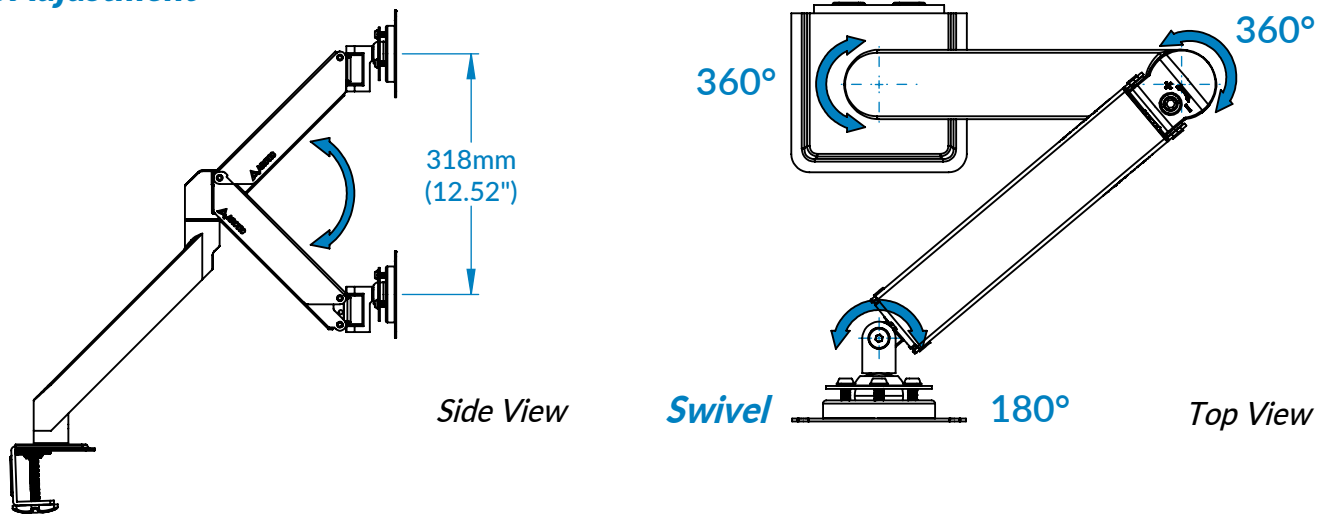


### Reach

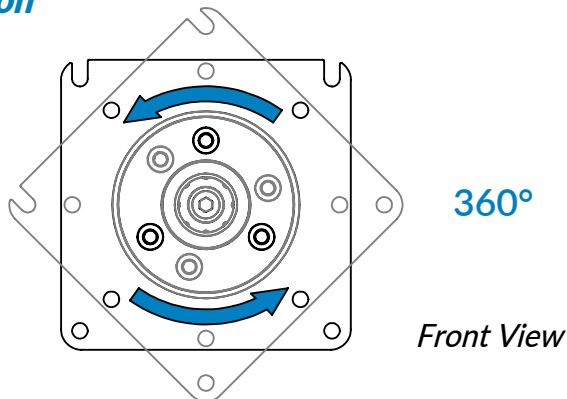


### Adjustability

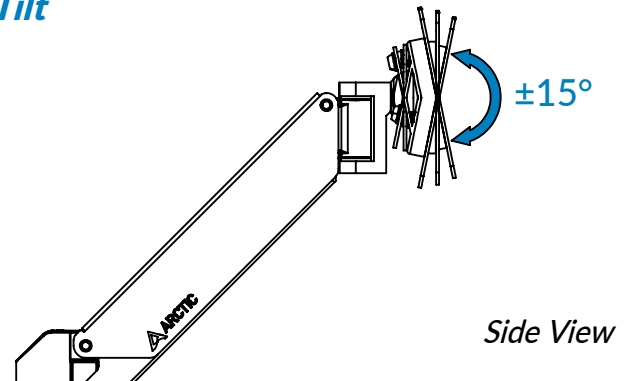
#### Height Adjustment



#### Rotation



#### Tilt



Designed by ARCTIC



P/N: AEMNT00062A

© ARCTIC (HK) Ltd. All rights reserved.

Rev. Date: 05-Jan-2022