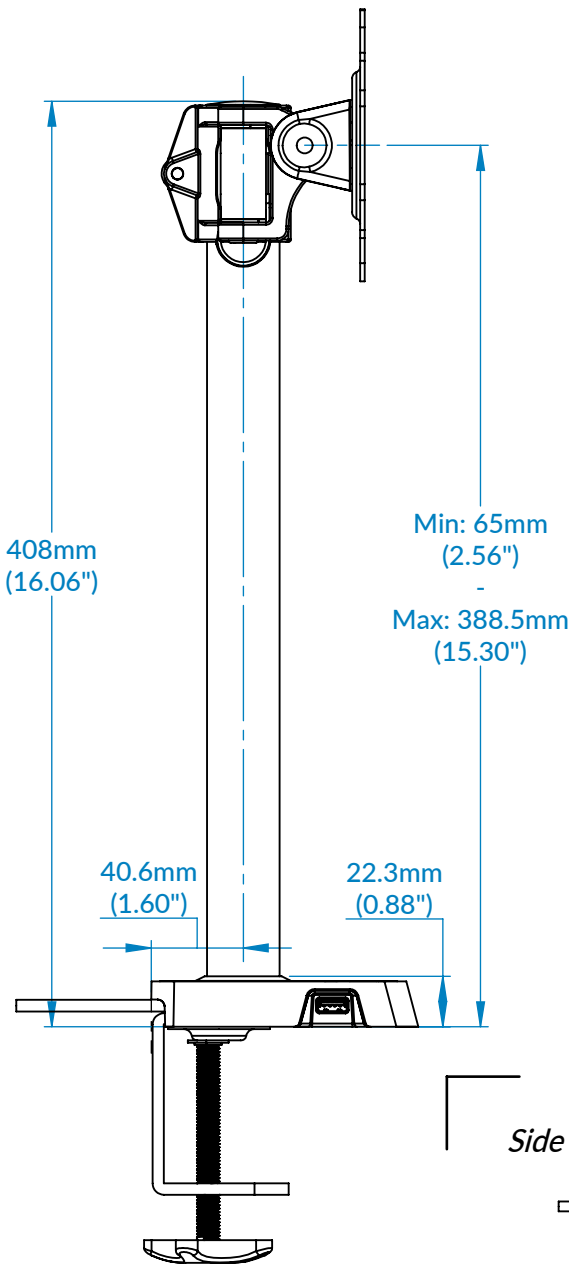
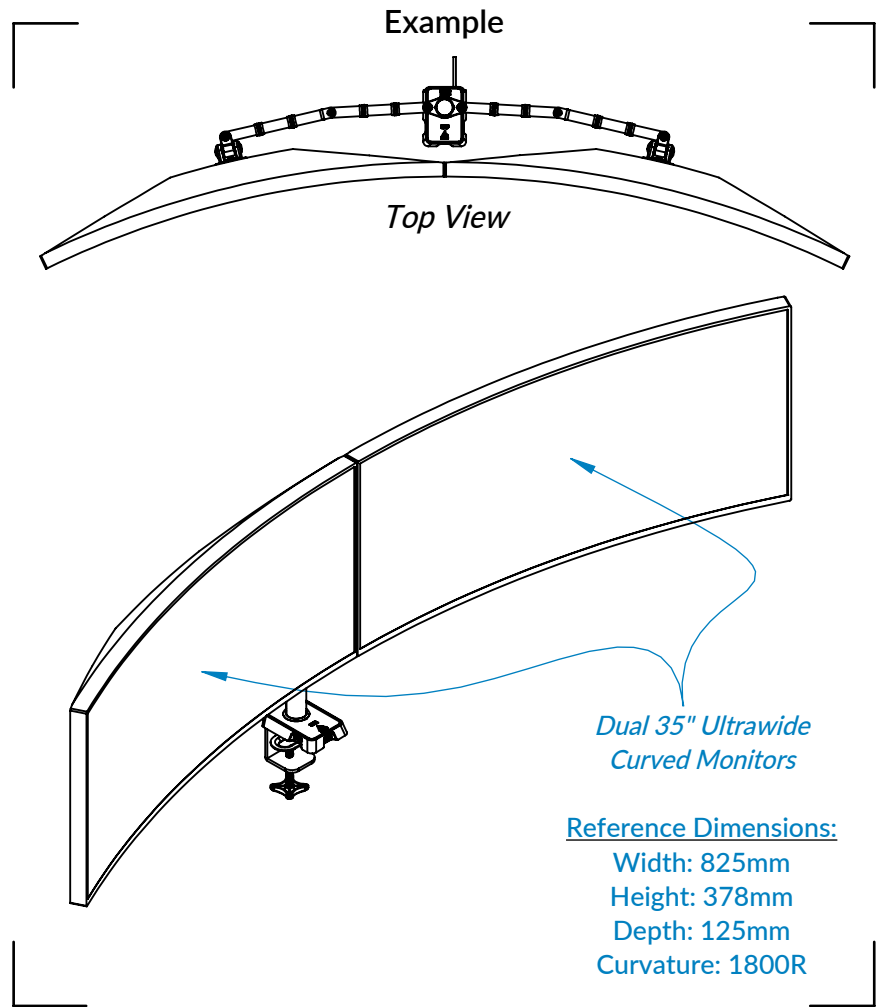
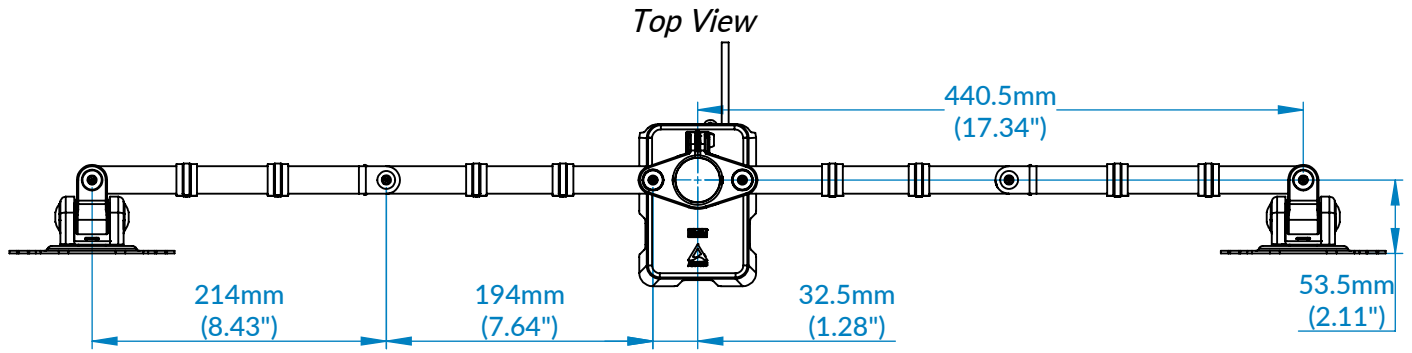


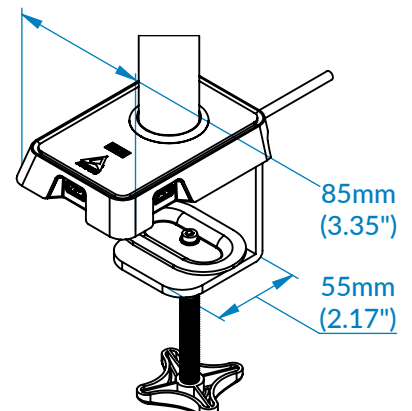
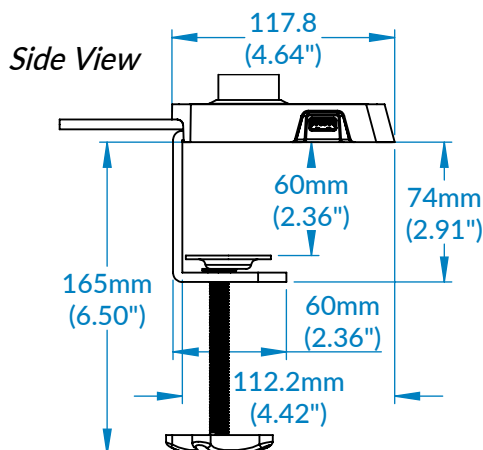
# Z2 (Gen 3)

## Dimensional Illustrations

### Overall Dimensions



*Side View*

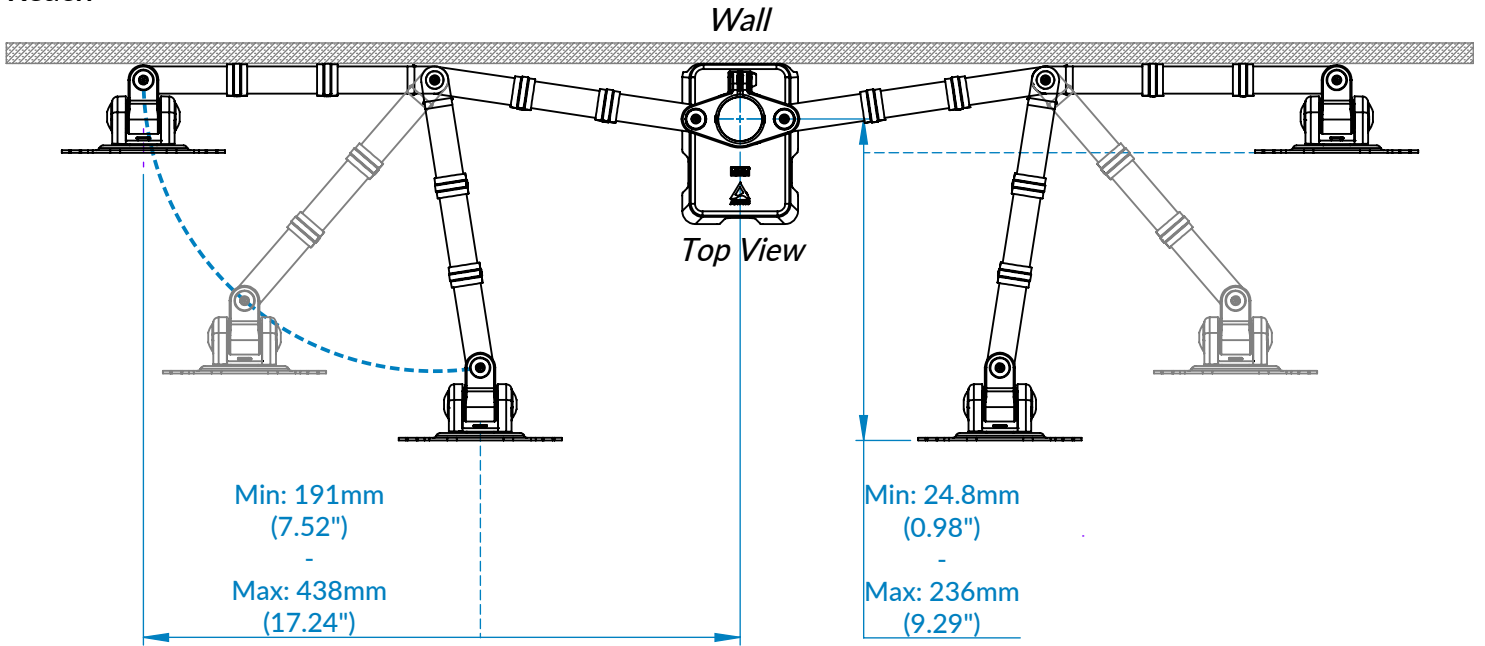


# Z2 (Gen 3)

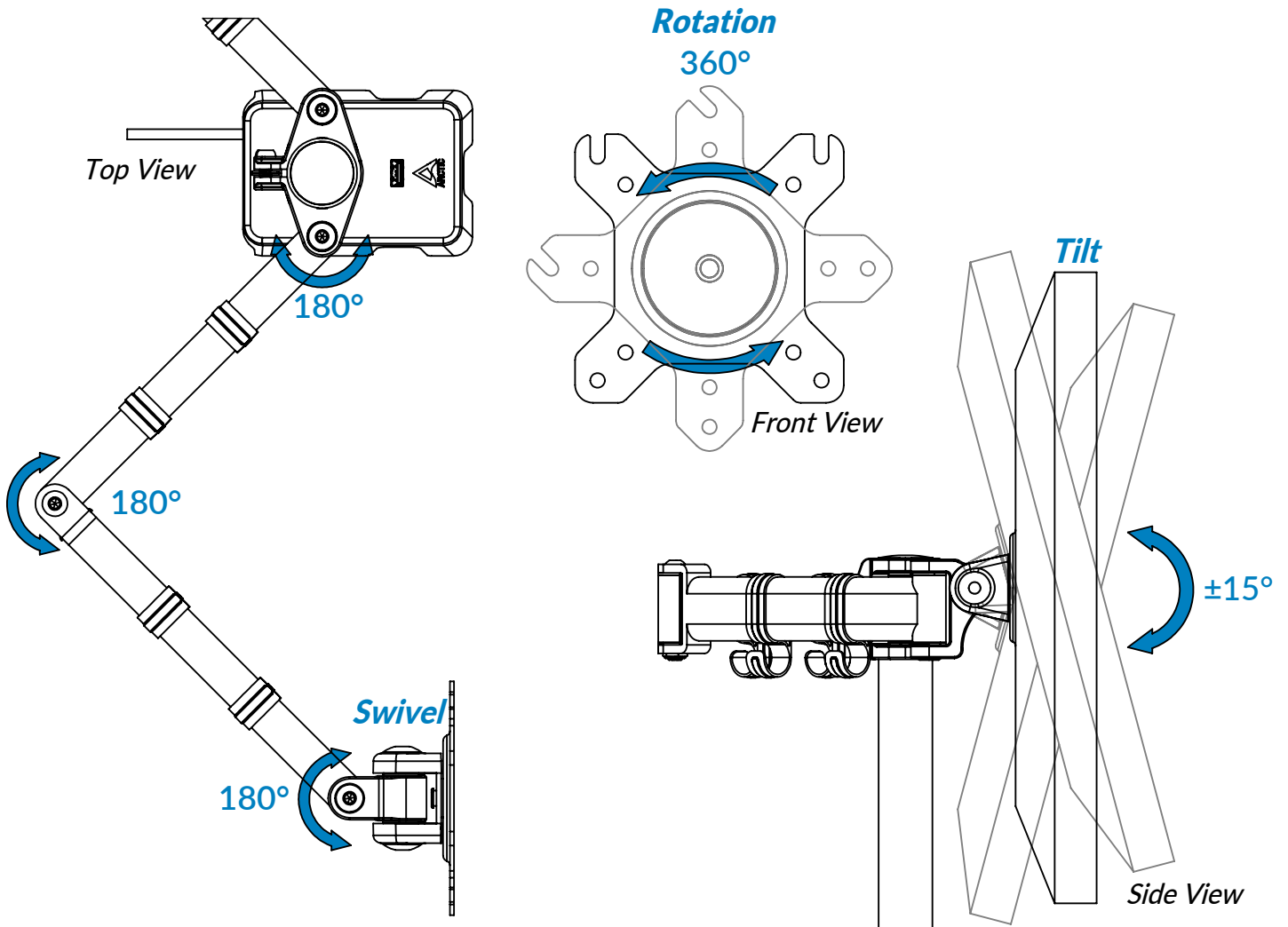
## Dimensional Illustrations



Reach



Adjustability



Designed by ARCTIC



P/N: AEMNT00053A

© ARCTIC (HK) Ltd. All rights reserved.

Rev. Date: 20-Apr-2022