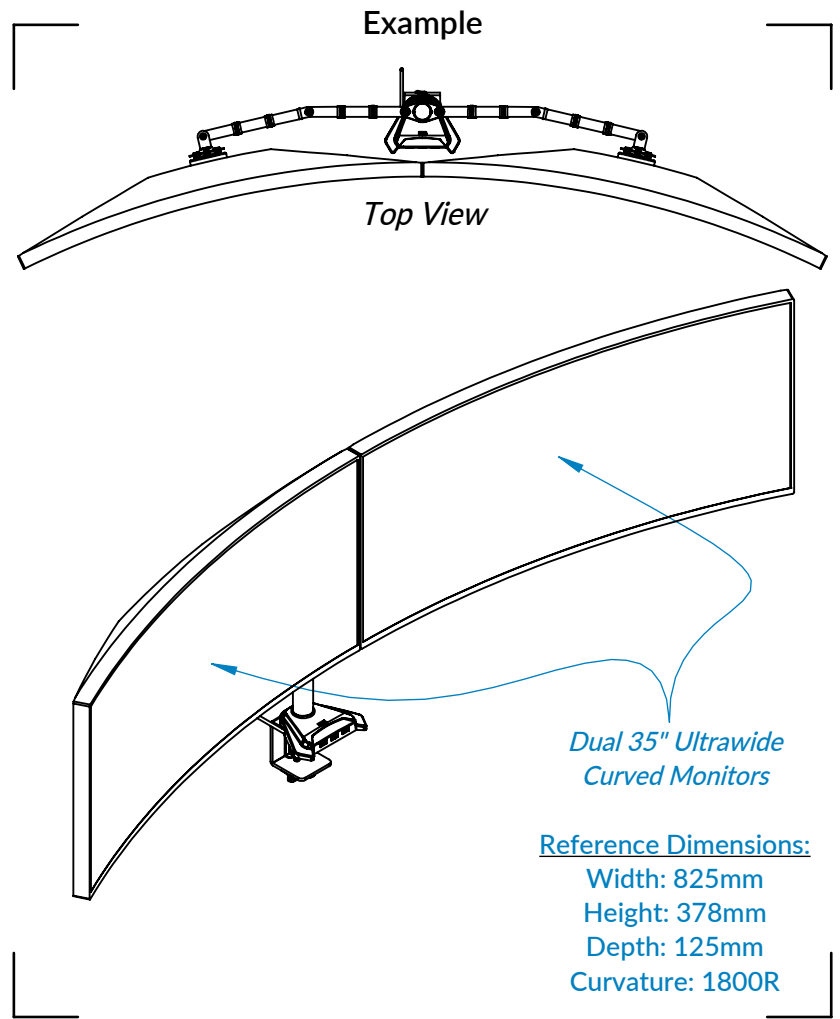
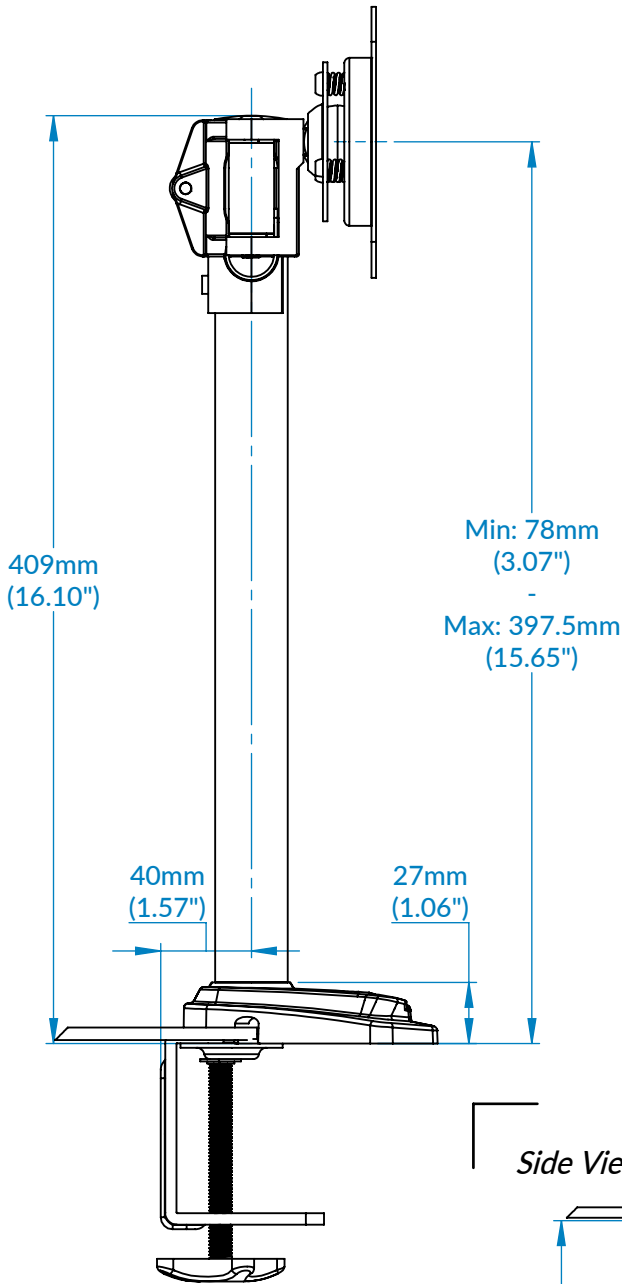
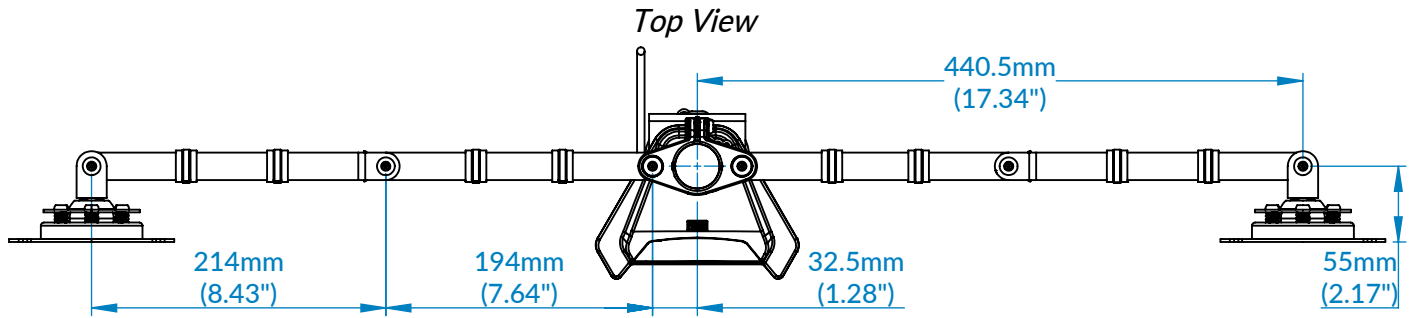


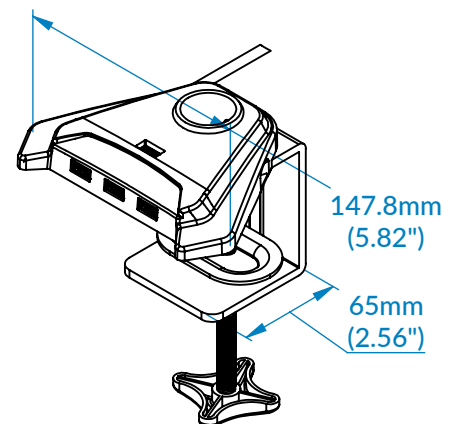
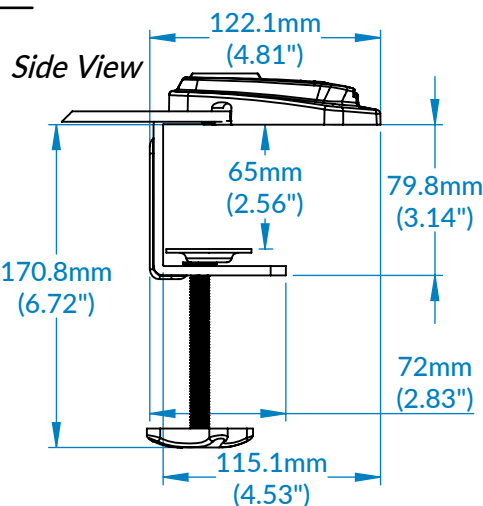
Z2 Pro (Gen 3)

Dimensional Illustrations

Overall Dimensions

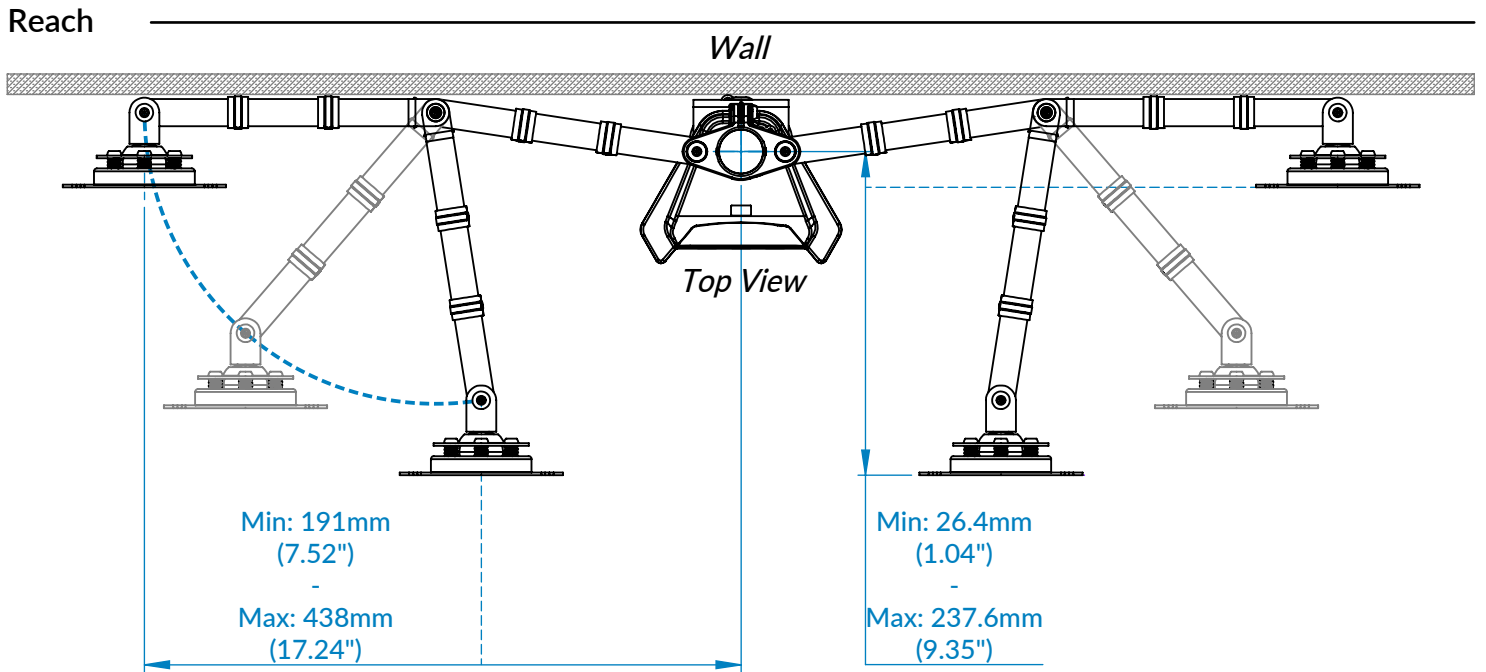


Side View

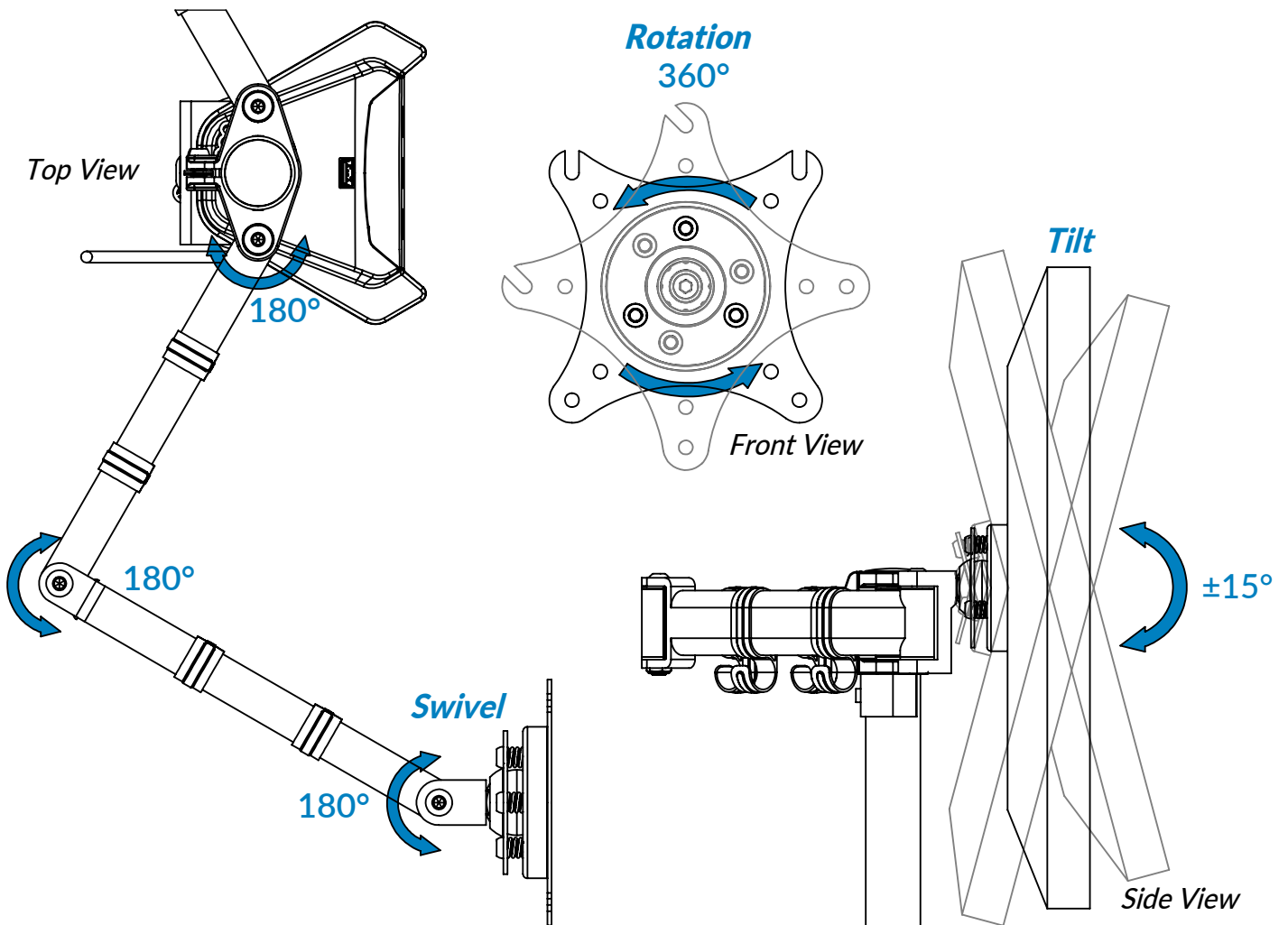


Z2 Pro (Gen 3)

Dimensional Illustrations



Adjustability



Designed by ARCTIC



P/N: AEMNT00050A

© ARCTIC (HK) Ltd. All rights reserved.

Rev. Date: 20-Apr-2022